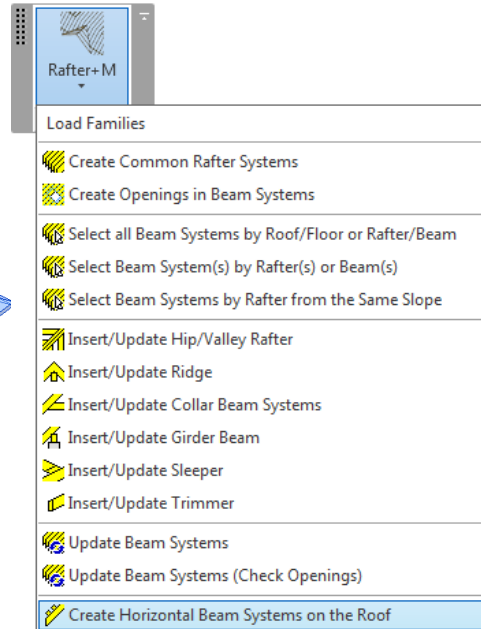
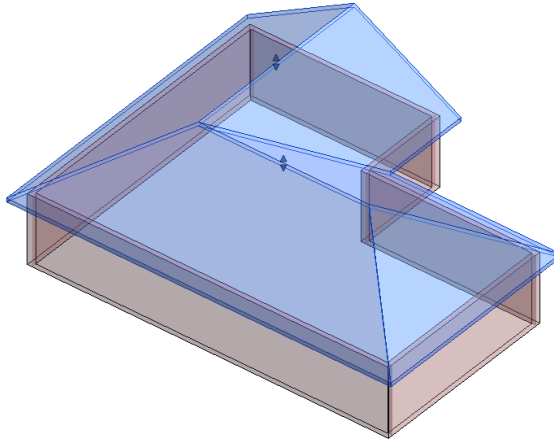
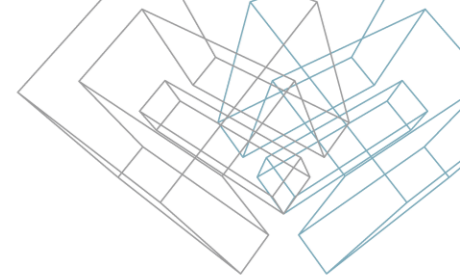




METAL FRAMING RAFTER+

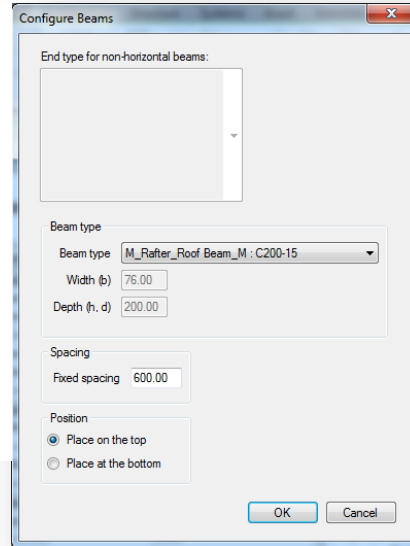
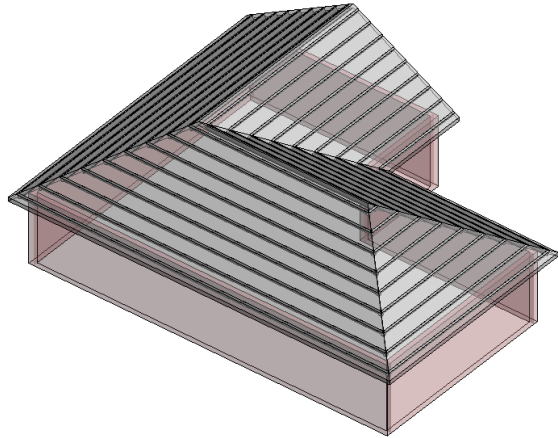
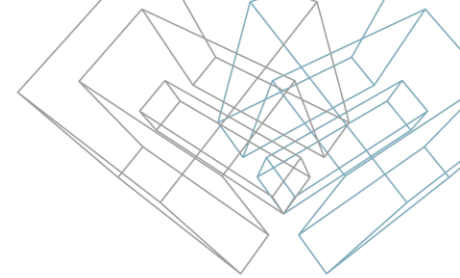
Create Horizontal Beam Systems on the Roof

Create Horizontal Beam Systems

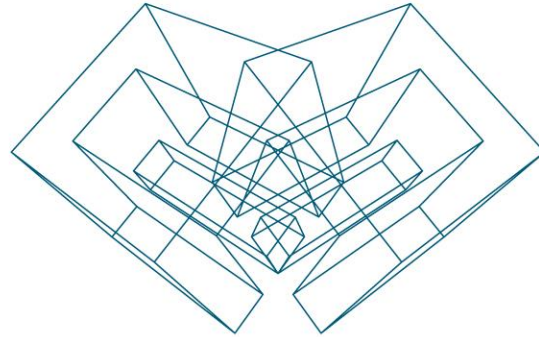


- Select a roof.
- Select **Create Horizontal Beam Systems** from the menu.

Create Horizontal Beam Systems



- Select Horizontal beam type from structural framing families existing in the project.
- Enter a value to Fixed spacing.
- Select placement of beams. They can be placed on the top or at the bottom of the roof, and click OK.



AGA CAD Ltd

T: +370 618 55671 | E: support@aga-cad.com | W: www.aga-cad.com